
Technical sheet

MLT 960

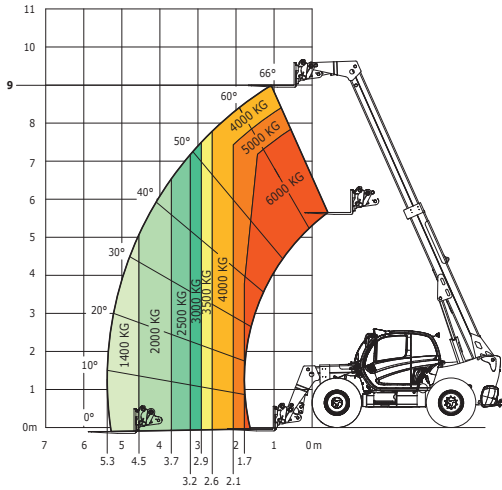
Telehandler



MLT 960

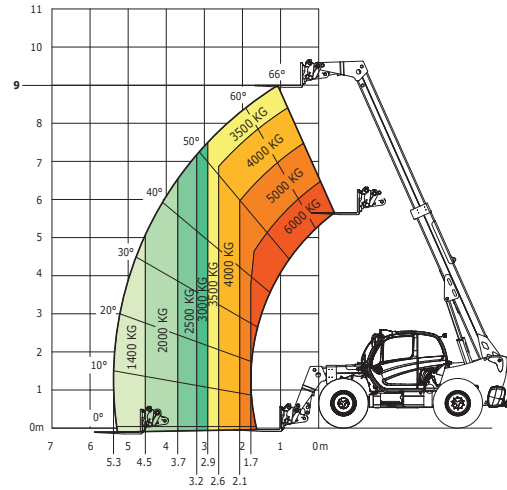
Capacity	
Max. capacity	6000 kg
Max. lifting height	9 m
Max. outreach	5.30 m
Reach at max. height	1.10 m
Break-out force with bucket	7300 daN
Weight and dimensions	
Unladen weight (with forks)	11400 kg
1- Ground clearance	0.45 m
2- Overall length to carriage	6.10 m
3- Wheelbase	3 m
4- Overall width of cab	0.99 m
5- Overall width	2.48 m
6- Overall height	2.53 m
7- Turning radius (over tyres)	4.30 m
Standard tyres	500/70 R24 164A8 A580-Alliance
Performances	
Lifting	8.50 s
Lowering	6.50 s
Extension	7 s
Retraction	6 s
Crowd	3.80 s
Dump	3.60 s
Engine	
Brand	John Deere
Environmental norm	Stage IV / Final Tier 4
Type	PWL 4045
Number of cylinders - Cubic capacity	4 - 4500 cm ³
Power	141 hp / 104 kW
Max. torque (Nm) at ...	540 Nm at 1600 rpm
Laden drawbar pull	9300 daN
Transmission	
Type	CVT
Max. travel speed	40 km/h
Parking brake	Automatic negative parking brake
Service brake	hydraulic oil immersed multi-disc braking on front and rear axles
Hydraulics	
Pump type	Load sensing pump
Hydraulic flow + hydraulic pressure	180l/min - 270 bar
Reservoir capacities	
Hydraulic oil	153 l
Fuel	135 l
Diesel Exhaust Fluid (AdBlue® type)	12 l
Noise & vibration	
Noise at driving position (LpA)	80 dB
Environmental noise (LwA)	105 dB
Vibration to whole hand / arm	<2.5 m/s ²
Miscellaneous	
Safety	Tractor homologation EN 15000 norm Cab compliant with ROPS/FOPS level 2 standards

Load Charts



Machine on tyres with forks
Industrial load chart
EN 1459A norm

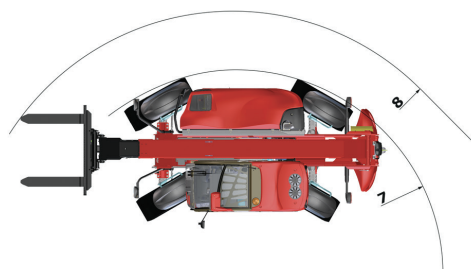
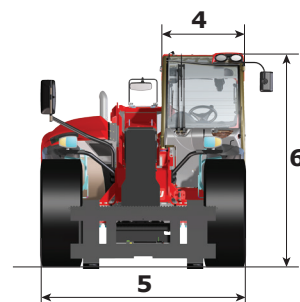
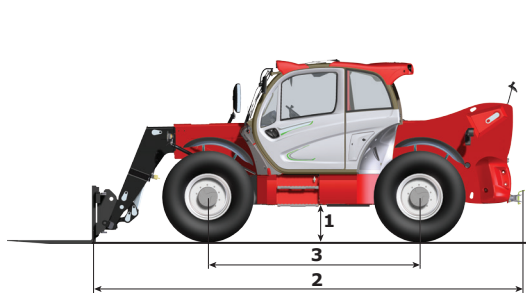
LC 600mm



Machine on tyres with forks
Rough terrain load chart
EN 1459B norm

LC 600mm

Dimensional Drawing



Your dealer :



Registered office

B.P. 249 - 430 rue de l'Aubinière - 44158 Ancenis Cedex - France
Tél : 00 33 (0)2 40 09 10 11 - Fax : 00 33 (0)2 40 09 10 97
www.manitou.com

