

Technical sheet :

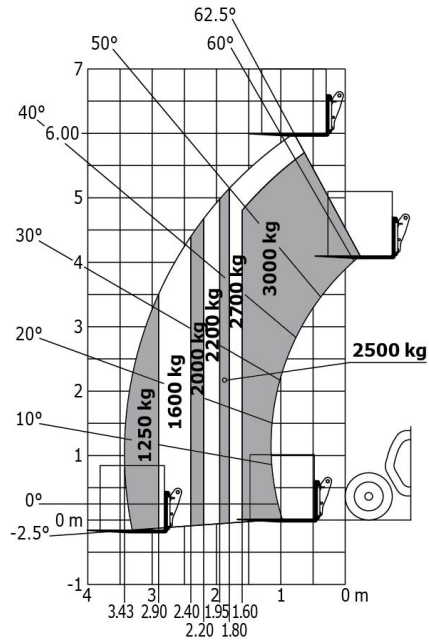
MLT 630-115 V CP



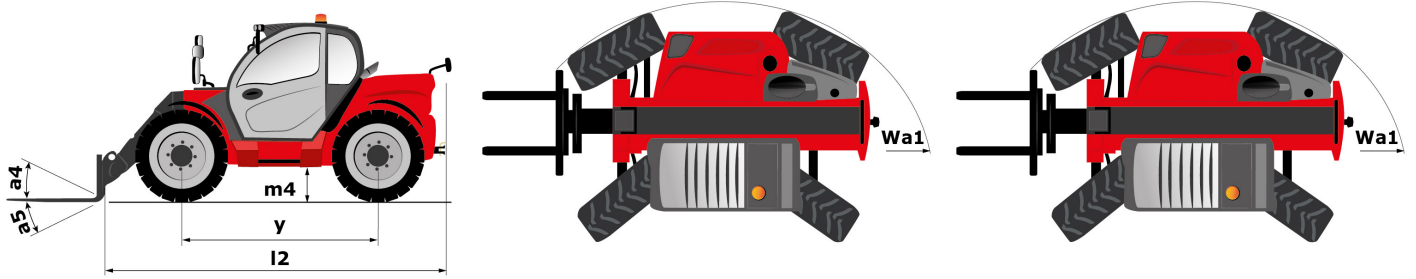
| Capacities | | Metric |
|---|-----|---|
| Max. capacity | Q | 3000 kg |
| Max. lifting height | h3 | 6 m |
| Max. outreach | r1 | 3.43 m |
| Reach at max. height | | 0.9 m |
| Breakout force with bucket | | 4914 daN |
| Weight and dimensions | | |
| Unladen weight (with forks) | | 6640 kg |
| Ground clearance | m4 | 0.28 m |
| Wheelbase | y | 2.69 m |
| Overall length to carriage (with hitch) | l11 | 4.78 m |
| Front overhang | | 1.25 m |
| Overall width | b1 | 2.06 m |
| Overall cab width | b4 | 0.95 m |
| Overall height | h17 | 2.14 m |
| Tilt-down angle | a5 | 133 ° |
| Tilt-up angle | a4 | 13 ° |
| External turning radius (over tyres) | Wa1 | 3.65 m |
| Standard tyres | | Alliance - A580 - 400/70 R20 149A8 |
| Drive wheels (front / rear) | | 2 / 2 |
| Steering wheels (front / rear) | | 2 / 2 |
| Performances | | |
| Lifting | | 6.5 s |
| Lowering | | 4.9 s |
| Extension | | 5.8 s |
| Retraction | | 5.3 s |
| Crowd | | 3.2 s |
| Dump | | 2.6 s |
| Engine | | |
| Engine brand | | Deutz |
| Engine norm | | Stage V |
| Engine model | | TCD 3.6 L4 |
| Number of cylinders - Capacity of cylinders | | 4 - 3621 cm³ |
| I.C. Engine power rating / Power (kW) | | 116 Hp / 85 kW |
| Max. torque / Engine rotation | | 460 Nm/m @1600 tr/min |
| Drawbar pull (Laden) | | 6500 daN |
| Reversible fan | | Standard |
| Transmission | | |
| Transmission type | | M-Varioshift |
| Number of gears (forward / reverse) | | 2 / 2 |
| Max. travel speed (may vary according to applicable regulations) | | 38 km/h |
| Differential lock | | Limited slip differential on front axle |
| Parking brake | | Manual |
| Service brake | | Oil-Immersed multi-discs braking on front axles |
| Hydraulics | | |
| Hydraulic pump type | | Gear pump |
| Hydraulic flow - Pressure | | 106 l/min - 250 Bar |
| Flow sharing distributor | | Option |
| Tank capacities | | |
| Hydraulic oil | | 94 l |
| Fuel tank | | 78 l |
| Diesel Exhaust fluid (AdBlue® type) | | 13 l |
| Noise and vibration | | |
| Noise at driving position (LpA) tested following NF EN 12053 norm | | 73 dB(A) |
| Environmental noise (LwA) | | 106 dB(A) |
| Vibration to whole hand/arm | | <2,50 |
| Miscellaneous | | |
| Tractor homologation / Safety cab homologation | | Tractor homologation - Cab ROPS - FOPS Level 2 |
| Controls | | JSM |

Load chart

Rough terrain load chart (EN 1459 B) Metric



Dimensional drawing





Siège Social

430 rue de l'Aubinière - 44150 Ancenis Cedex - France

Tel: +33(0)2 40 09 10 11 - Fax: +33 (0)2 40 09 10 97

www.manitou.com



This brochure describes versions and configuration options for Manitou products which may be fitted with different equipment. The equipment described in this brochure may be standard, optional or not available depending on version. Manitou reserves the right to change the specifications shown and described at any time and without prior warning. The manufacturer is not liable for the specifications given. For more information, contact your Manitou dealer. Non-contractual document. Product descriptions may differ from actual products. List of specifications is not comprehensive. The logos and visual identity of the company are the property of Manitou and may not be used without authorisation. All rights reserved. The photos and diagrams contained in this brochure are provided for information only.

MANITOU BF SA - Limited company with board of directors - Share capital: 39,668,399 euros - 857 802 508
RCS Nantes